

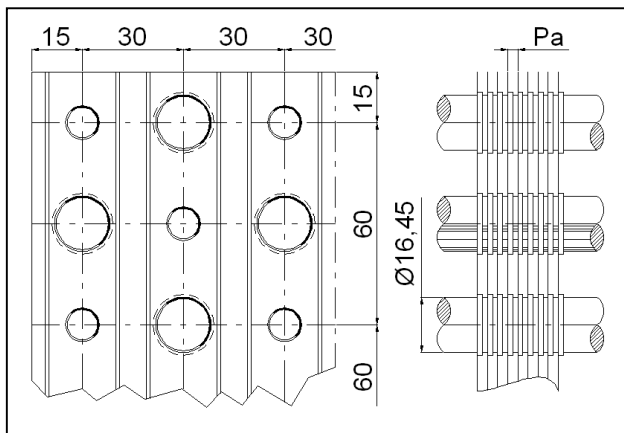
MATERIALI E SPESSORI STANDARD TUBI E ALETTE

Data 29/09/08

P60

Fins material	Thickness	Available fin pitches [mm]							
		2.0	2.5	3.0	4.0	5.0	6.0	8.0	10.00
Al	0.115	Available	Available	Available	Available	Available	Available	Stellar	Stellar
	0.20	Available	Available	Available	Available	Available	Available	Stellar	Stellar
	0.25	Available	Available	Available	Available	Available	Available	Stellar	Stellar
AlMg	0.20	Available	Available	Available	Available	Available	Available	Available	Available
AlPr	0.115	Available	Available	Available	Available	Available	Available	Available	Available
	0.25	Available	Available	Available	Available	Available	Available	Stellar	Stellar
Cu	0.12	Available	Available	Available	Available	Available	Available	Available	Available
	0.20	Available	Available	Available	Available	Available	Available	Stellar	Stellar
CuSn Sn	0.12	Available	Available	Available	Available	Available	Available	Available	Available
	0.20	Available	Available	Available	Available	Available	Available	Stellar	Stellar
= Available									
= Stellar fin pitch									

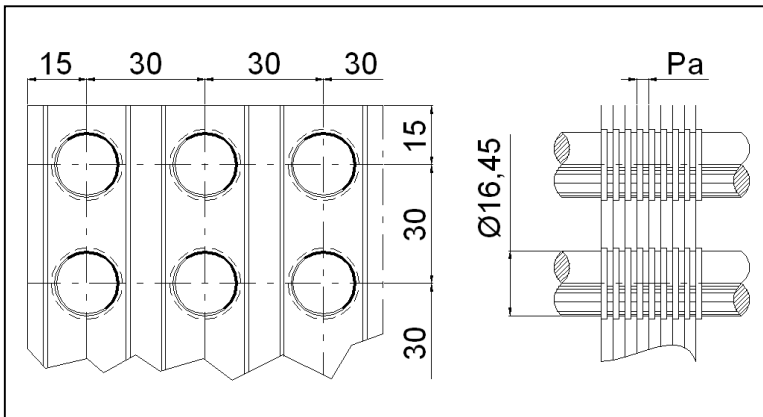
TUBES					
Material	Thickness				
	0.40	0.75	0.60	1.00	1.50
Cu	Available	Available	Available	Available	Available
CuSn	Available	Available	Available	Available	Available
Fe	Available	Available	Available	Available	Available
SS316	Available	Available	Available	Available	Available
SS304	Available	Available	Available	Available	Available
CuNI9010	Available	Available	Available	Available	Available



P3016

Fins material	Thickness	Available fin pitches [mm]							
		2.0	2.5	3.0	4.0	5.0	6.0	8.0	10.00
Al	0.115								
	0.20								
	0.25								
AlMg	0.20								
AlPr	0.115								
	0.25								
Cu	0.12								
	0.20								
CuSn	0.12								
	0.20								

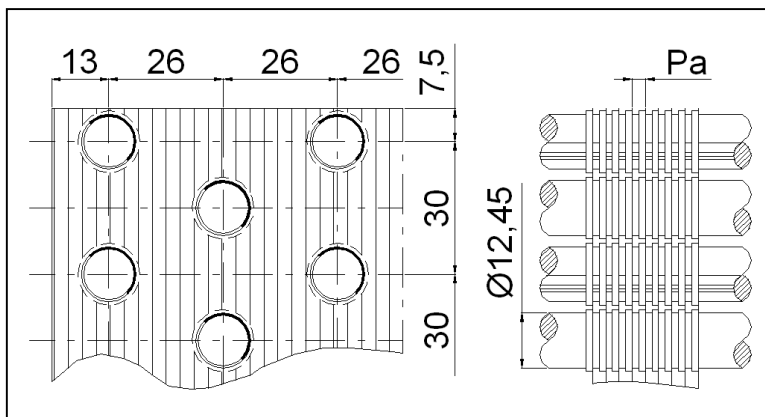
TUBES			
Material	Thickness		
		0.40	0.75
Cu			
CuSn			



P3012

Fins material	Thickness	Available fin pitches [mm]							
		2.0	2.5	3.0	4.0	5.0	6.0	8.0	10.00
Al	0.115								
	0.20								
AlMg	0.20								
AlPr	0.115								
	0.25								
Cu	0.12								
	0.20								
CuSn	0.12								
	0.20								

TUBES			
Material	Thickness		
		0.35	0.40
Cu			
CuSn			



P40

Fins material	Thickness	Thickness					
		2.0	2.5	3.0	4.0	5.0	6.0
Al	0.11						
	0.20						
	0.25						
AlPr	0.11						
	0.25						
Cu	0.12						
	0.20						
CuSn	0.12						
	0.20						

= Available

TUBES

Material	Thickness				
	0.40	0.60	0.75	1.00	1.50
Cu					
CuSn					
Fe					
SS316					
SS304					
CuNI9010					

